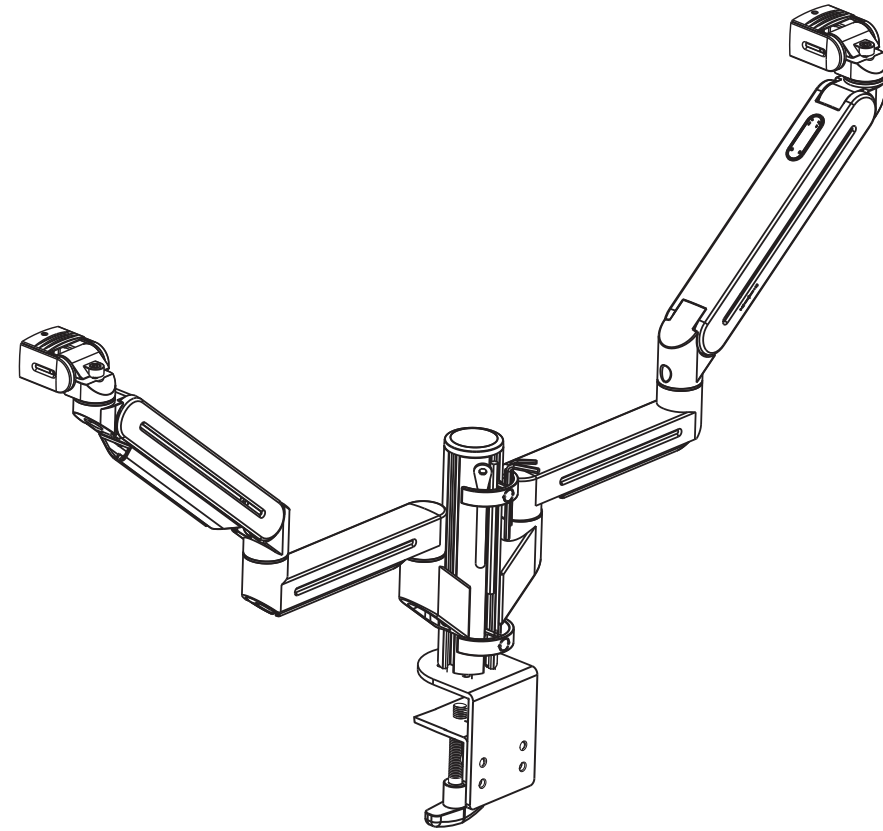


Dual Monitor Arm

Assembly Instructions

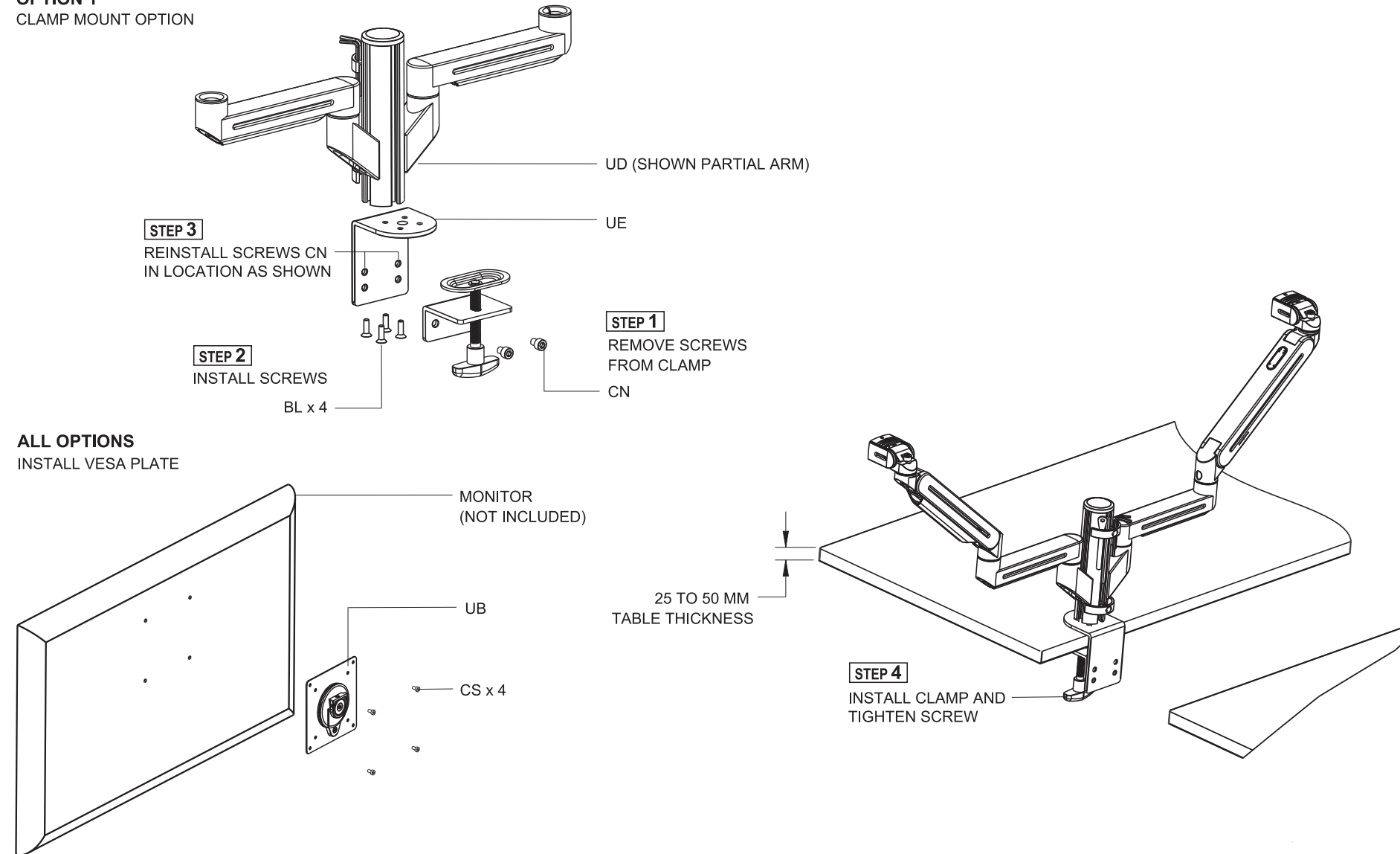


Part Code	Part Name	Qty
CS	1000185 LP SOCK HD CAP M4X10	4
AA	1000091 FLAT HD SOCK CAP M6X15	4
AU	1003165 FLAT HD SOCK CAP M6X25	4
BL	1000555 FLAT HD SOCK CAP M6X20	4
CN	SOCKET HD CAP SCREW M8X10	2
UA	1002365 SOCKET HD CAP M12X60	1
UB	VESA PLATE	2
UD	ASSEMBLED ARM Dual	1
UE	CLAMP MOUNT BASE Dual	1
UF	CLAMP THRU HO MNT BASE SG	1
UG	1000723 COVER MONITOR 120	1
UH	ARM CAP ELBOW	1
UJ	FLAT WASHER	1
UK	1000563 MONITOR ARM BRACKET	1
UL	1000564 MONITOR ARM BRACKET PLATE	1
UM	1002363 SPACER	1
ZW	1003037 HEX B WRENCH 3 MM	1
ZV	1003038 HEX B WRENCH 4 MM	1
ZT	1003267 HEX B WRENCH 6 MM	1
ZR	1003269 HEX B WRENCH 10 MM	1

For assistance, call [888] 471-1616, or www.youtube.com/user/ideskinc1

PRIVATE OFFICE/DESKING

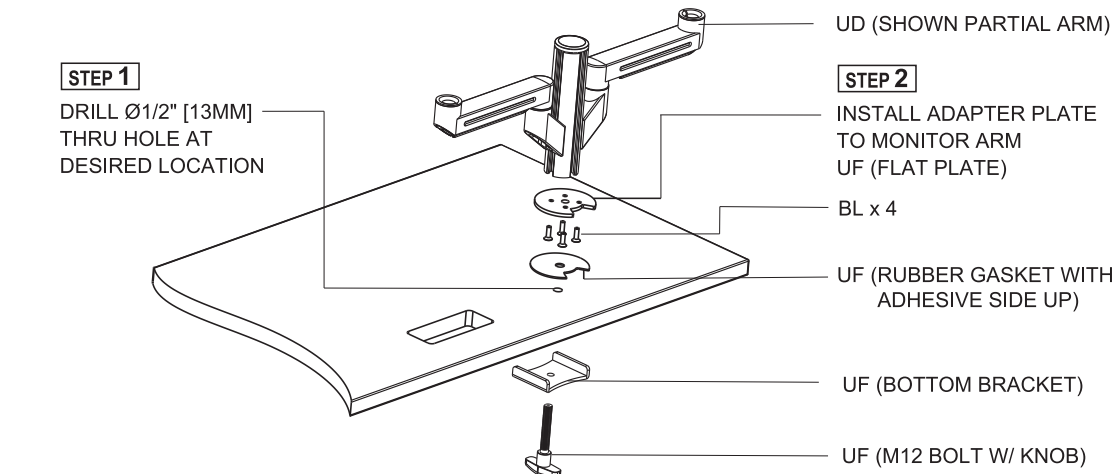
OPTION 1 CLAMP MOUNT OPTION



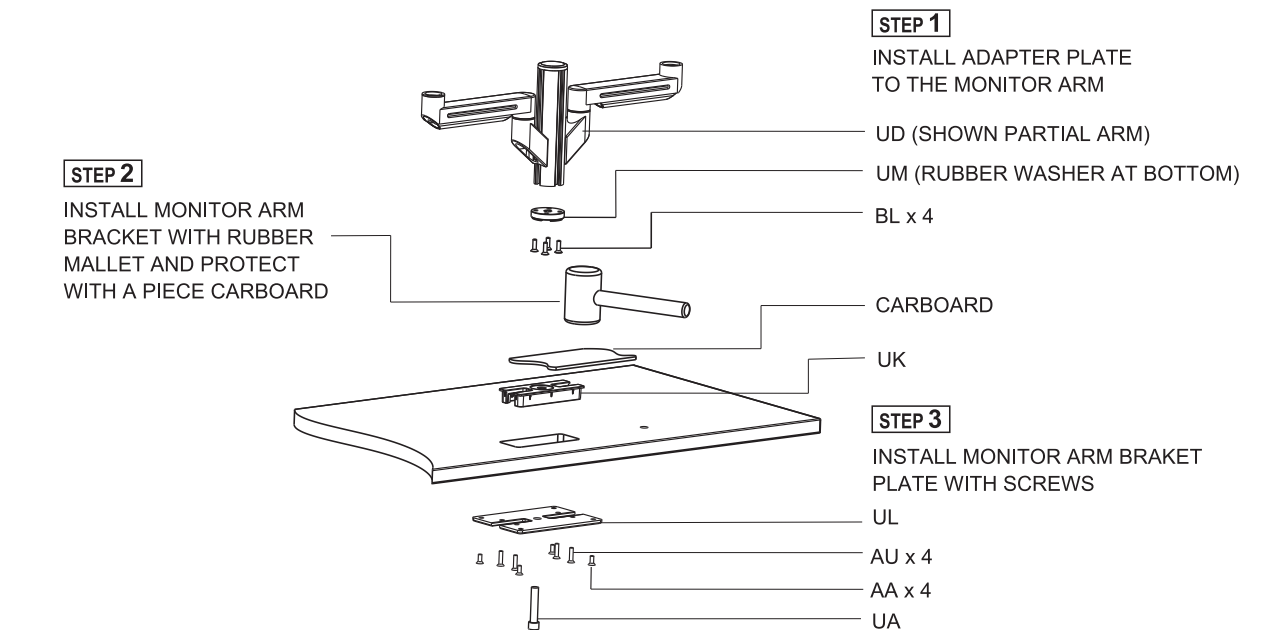
ALL OPTIONS INSTALL VESA PLATE

PRIVATE OFFICE/DESKING [Assembly Instructions Dual Monitor Arm - Continues from page 2]

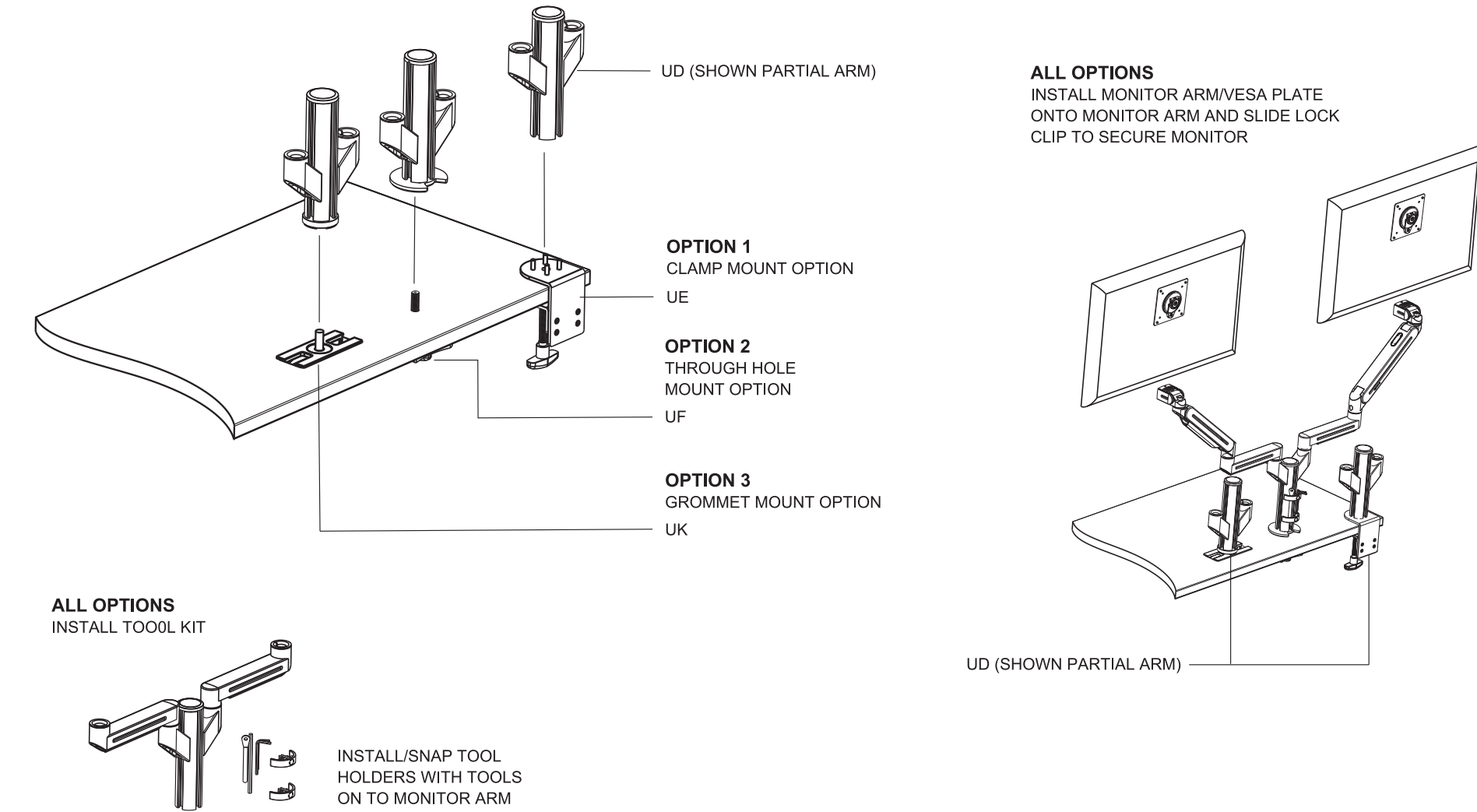
OPTION 2 THROUGH HOLE MOUNT OPTION



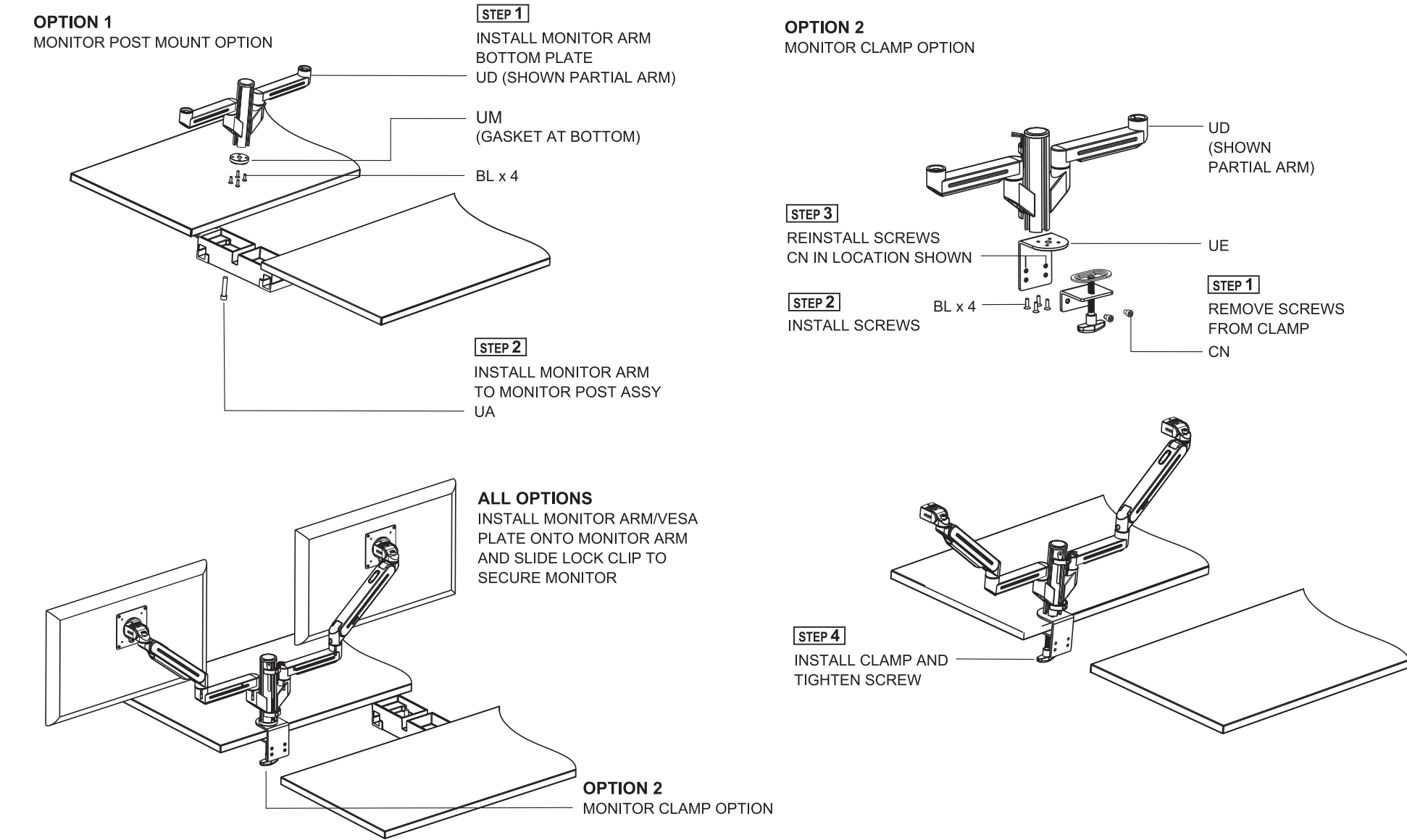
OPTION 3 GROMMET MOUNT OPTION



PRIVATE OFFICE/DESKING [Assembly Instructions Dual Monitor Arm - Continues from page 3]



BENCHING [Assembly Instructions Dual Monitor Arm]



BENCHING [Assembly Instructions Dual Monitor Arm - Continues from page 5]

